

# HAZ-X Q

HAZARDOUS LOCATION LED HIGH BAY

Type: \_\_\_\_\_

Project: \_\_\_\_\_

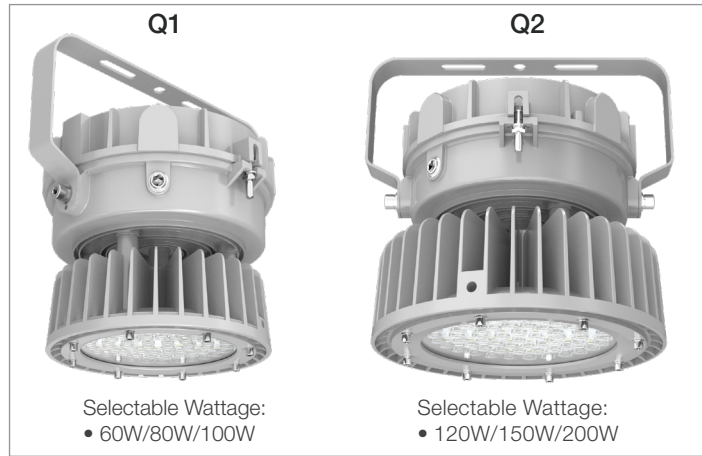
**Delivered Lumens**  
3,000 - 36,000 lm

**Wattage:**  
**Q1:** 20W - 100W  
**Q2:** 20W - 240W

**Efficacy:**  
Up to 160 lm/W

**Colour Temperatures:**  
2000K - 7500K  
Selectable:  
• 4000K/5000K/6500K

**Projected Lumen Maintenance:**  
L<sub>70</sub> @ >100,000 hrs.



Selectable Wattage:  
• 60W/80W/100W

Selectable Wattage:  
• 120W/150W/200W

UL 844 Hazardous Locations  
UL1598, UL1598A

Class I Division 2, Group A, B, C, D  
Class II Division 1, Group E, F, G  
Class II Division 2, Group F, G  
Class III

Class I, Zone 2, Group IIC  
Zone 20, 21, 22

CSA C22.2 No.137.0  
CSA C22.2 No.250.0  
CSA C22.2 No.250.13

Retrofit ready for existing HID  
fixtures

The **HAZ-X Q** series LED luminaire is the ideal choice for hazardous applications. They can be used in locations where moisture, dirt, dust, corrosion and vibration may be present, or areas where wind, water, snow or high ambient temperatures can be expected. Featuring various shapes of driver box cover, this series is designed to meet different requirements of installations.

Configurations (Example: HZX-EX-Q1-20W-D-50-D120-CCG-B1-2-M-E)

1. SERIES	2. TYPE	3. OUTPUT	4. DIMMING	5. COLOUR TEMP.	6. DISTRIBUTION	7. LENS
HZX-EX	Q1	20W/30W/40W/50W /60W/80W/100W	[BLANK] (Non-dimmable) D (Dimmable)	20 (2000K) 30 (3000K) 40 (4000K) 50 (5000K)	<sup>7</sup> D40 (40 degrees) <sup>7</sup> D60 (60 degrees) <sup>7</sup> D90 (90 degrees)	[BLANK] (Clear Flat Glass) CCG (Clear Convex Glass) CCP (Clear Convex PC) CFP (Clear Flat PC)
	Q2	<sup>4</sup> 20W/ <sup>4</sup> 40W/ <sup>4</sup> 50W/ <sup>4</sup> 60W / <sup>4</sup> 80W/100W/120W /150W/180W/200W/240W		57 (5700K) 60 (6000K) 65 (6500K) 75 (7500K)	<sup>8</sup> D120 (120 degrees) <sup>1</sup> T3 (90 degrees) <sup>1</sup> T5 (120 degrees)	CSG (Clear Spherical Glass) FFG (Frosted Flat Glass) FCG (Frosted Convex Glass) FSG (Frosted Spherical Glass)

8. DRIVER BOX COVER	9. LED TYPES	10. INPUT VOLTAGE	11. DUAL POWER & CCT SELECTABLE	12. BACKUP POWER SOURCE
[BLANK] (Driver Box Cover - A1) B1 (Driver Box Cover - B1) C1 (Driver Box Cover - C1) D1 (Driver Box Cover - D1)	<sup>4</sup> 1 (5050 LED Board) 2 (2835 Single CCT LED Board) <sup>6</sup> [BLANK] (2835 Selectable LED Board)	H (277-480V) M (120-347V) [BLANK] (120-277V)	[BLANK] (Not Selectable) <sup>2,3</sup> T (Power and Colour Selectable)	[BLANK] (No Backup Power) <sup>5</sup> E (Backup Power)

**NOTE<sup>1</sup>:** Only available with Q1; **NOTE<sup>2</sup>:** Must specify Power Selectable Options: Q1: 60W/80W/100W; Q2:120W/150W/200W; **NOTE<sup>3</sup>:** Standard selectable CCT: 4000K/5000K/6500K; **NOTE<sup>4</sup>:** Not compatible with 120-347V Input; **NOTE<sup>5</sup>:** Wattage Compatibility - Q1: 20-80W; Q2: 20W-150W; **NOTE<sup>6</sup>:** Must be selected with Dual Power and CCT selectable; **NOTE<sup>7</sup>:** Only available with 5050 LED; **NOTE<sup>8</sup>:** Only available with 2835 LED.

## Pre-Built Inventory

ORDER CODE	SHORT DESCRIPTION	LONG DESCRIPTION
19000117	HZX-EX-Q1-60W-D-50-D120-B1-2-M	HZX-EX Q1 C1D2GABCD 60W IP66 120° CLEAR FLAT GLASS DRIVER BOX COVER B1 LAMP ENCLOSURE HEATSINK-Q NORMAL COVER 2835LED U-BRACKET MOUNT 120-347V
19000118	HZX-EX-Q1-80W-D-50-D120-B1-2-M	HZX-EX Q1 C1D2GABCD 80W IP66 120° CLEAR FLAT GLASS DRIVER BOX COVER B1 LAMP ENCLOSURE HEATSINK-Q NORMAL COVER 2835LED U BRACKET MOUNT 120-347V
19000119	HZX-EX-Q2-100W-D-50-D120-B1-2-M	HZX-EX Q2 C1D2GABCD 100W IP66 120° CLEAR FLAT GLASS DRIVER BOX COVER B1 LAMP ENCLOSURE HEATSINK-Q NORMAL COVER 2835LED U BRACKET MOUNT 120-347V

## APPLICATIONS

- Heavy Industrials Storage Facility
- Paper Mills
- Chemical Processing Facility
- Power Plants
- Petrochemical Processing Facility
- Offshore Environments
- Wastewater Treatment Plants
- Food and Alcohol Industry

## HOUSING:

Rugged and resilient housing made of die-cast aluminum material with stainless steel hardware.

## ELECTRICAL:

- Available in 2000K, 3000K, 4000K, 5000K, 5700K, 6500K, 7500K colour temperatures
- >70 CRI
- Electrical ratings: 120-277V, 270-480V, 120-347V 50/60Hz
- Power factor of >0.95
- Power Selectable
  - HZX-EX-Q1: 60W/80W/100W
  - HZX-EX-Q2: 120W/150W/200W
- Colour Selectable: 4000K/5000K/6500K
- Optional Emergency backup
- Cable Entry: 3/4" NPT

## MOUNTING:

Ceiling, Surface, Pendant, Wall, Stanchion 25°

## LENS:

Comes standard with clear flat glass with the following lens options: clear convex glass, clear convex PC, clear flat PC, clear spherical glass, frosted flat glass, frosted convex glass or frosted spherical glass.

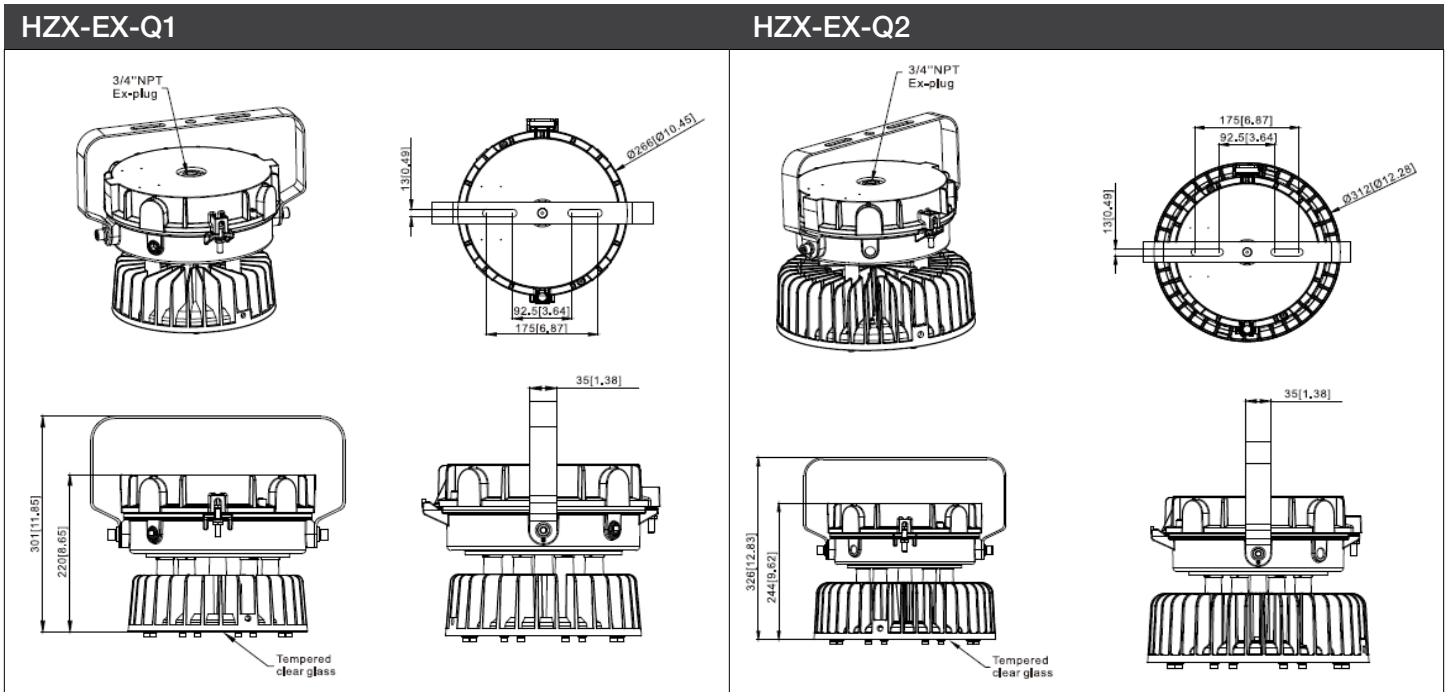
## OPERATING TEMPERATURE:

- HZX-EX-Q1: -40°C to +65°C; T4/T5/T6
- HZX-EX-Q2: -40°C to +60°C; T4/T4A/T5/T6

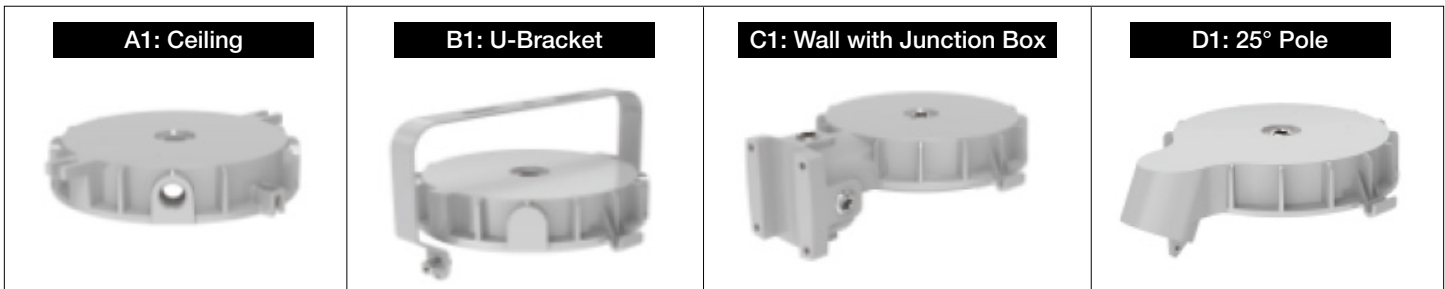
## WARRANTY:

5-Year Standard Warranty.

Dimensions (unit: mm [in.])



## Driver Box Cover

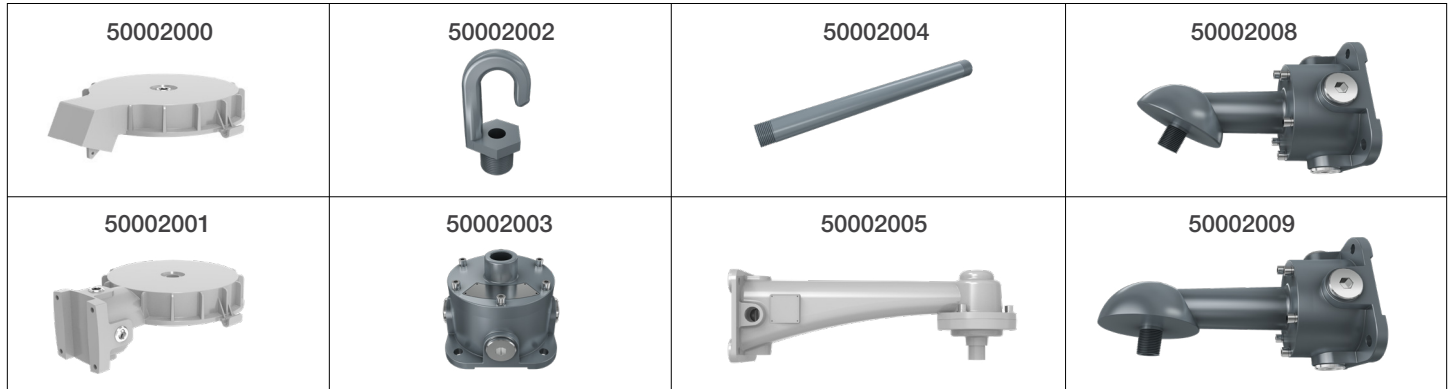


## Net Weight (Gross Weight)

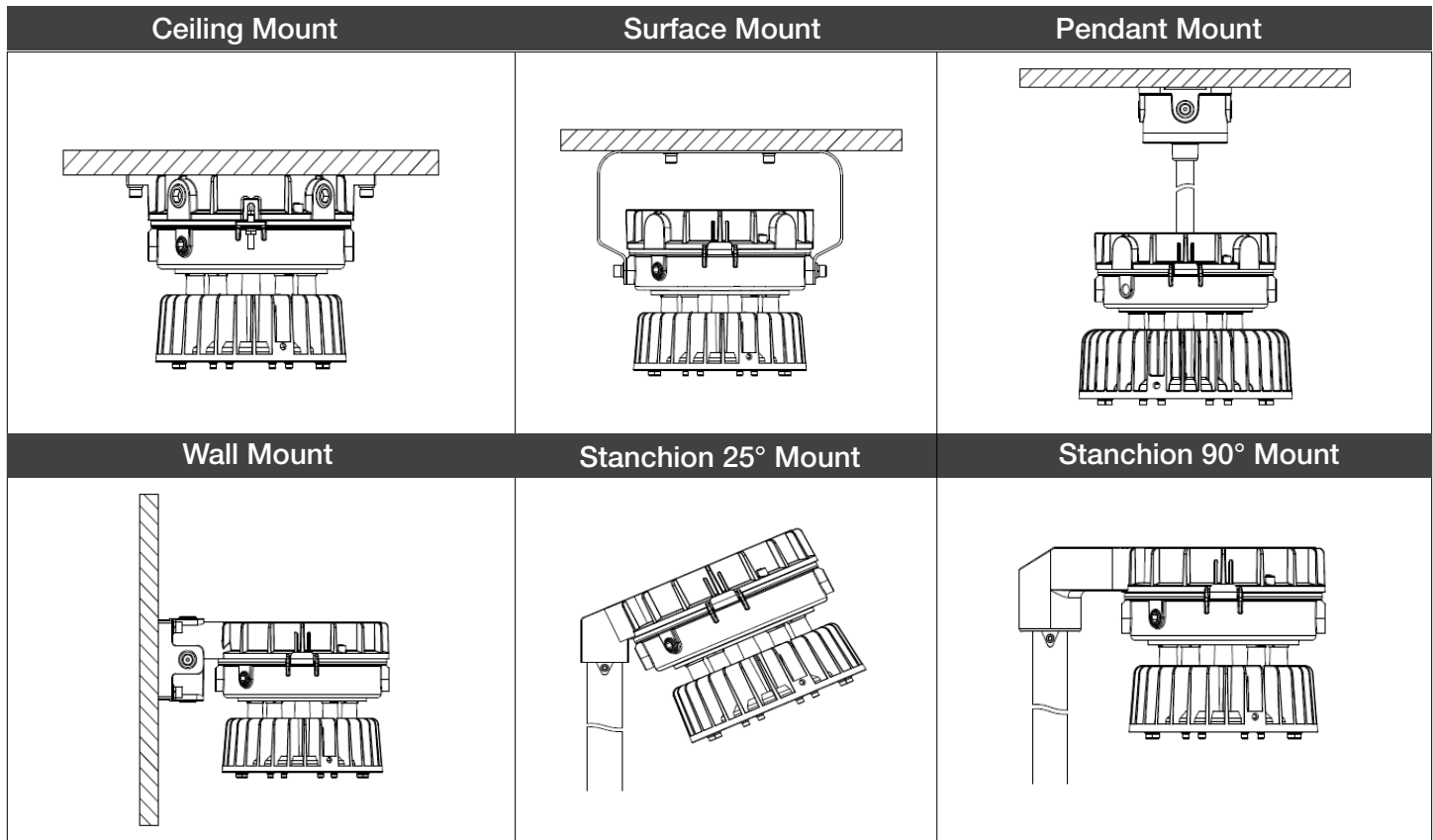
MODEL	A1	B1	C1	D1
HZX-EX-Q1	7.75 kg / 17.09 lbs (9.75 kg / 21.50 lbs)	8.39 kg / 18.50 lbs (10.39 kg / 22.91 lbs)	8.19 kg / 18.06 lbs (10.19 kg / 22.47 lbs)	8.04 kg / 17.73 lbs (10.04 kg / 22.13 lbs)
HZX-EX-Q2	11.3 kg / 24.91 lbs (13.3 kg / 29.32 lbs)	11.94 kg / 26.32 lbs (13.94 kg / 30.73 lbs)	11.74 kg / 25.88 lbs (13.74 kg / 30.29 lbs)	11.59 kg / 25.55 lbs (13.59 kg / 29.96 lbs)

## Accessories

ORDER CODE	DESCRIPTION	ORDER CODE	DESCRIPTION
50002000	HAZ-X DRIVER BOX D1	50002008	HAZ-X 25° WALL MOUNT WITH JUNCTION BOX
50002001	HAZ-X DRIVER BOX C1	50002009	HAZ-X 90° WALL MOUNT WITH JUNCTION BOX
50002002	HAZ-X EX-HOOK	50002011	HZX-EX-IN02-A-A MOTION PHOTOCELL SENSOR
50002003	HAZ-X JUNCTION BOX	50002012	HZX-EX-IN02-A-A SENSOR EXTENSION
50002004	HAZ-X PENDANT MOUNT (POLE)	50002013	HZX-EX-IN02-A-A SENSOR CONTROLLER
50002005	HAZ-X 90° WALL MOUNT		



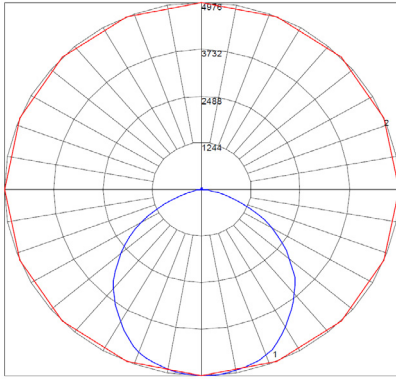
## Mounting



HAZ-X Q



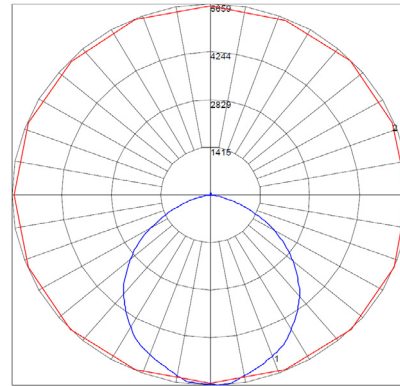
**HZX-EX-Q1-80W-5000K**  
Luminous Intensity Distribution



Zonal Lumen Summary

ZONE	LUMENS	% LUMINAIRE
0-20	1,829	14%
0-30	3,876	30%
0-40	6,292	49%
0-60	10,848	84%
0-80	12,775	99%
0-90	12,838	99%
10-90	12,366	95%
20-40	4,463	34%
20-50	6,924	53%
40-70	5,942	46%
60-80	1,927	15%
70-80	541	4%
80-90	63	1%
90-110	21	0%
90-120	38	0%
90-130	57	0%
90-150	99	1%
90-180	131	1%
110-180	110	1%
0-180	12,969	100%

**HZX-EX-Q2-100W-5000K**  
Luminous Intensity Distribution



Zonal Lumen Summary

ZONE	LUMENS	% LUMINAIRE
0-20	2,018	14%
0-30	4,263	30%
0-40	6,927	49%
0-60	11,891	84%
0-80	13,906	98%
0-90	13,980	99%
10-90	13,449	95%
20-40	4,909	35%
20-50	7,603	54%
40-70	6,423	46%
60-80	2,015	14%
70-80	556	4%
80-90	73	1%
90-110	28	0%
90-120	47	0%
90-130	69	1%
90-150	114	1%
90-180	149	1%
110-180	120	1%
0-180	14,128	100%

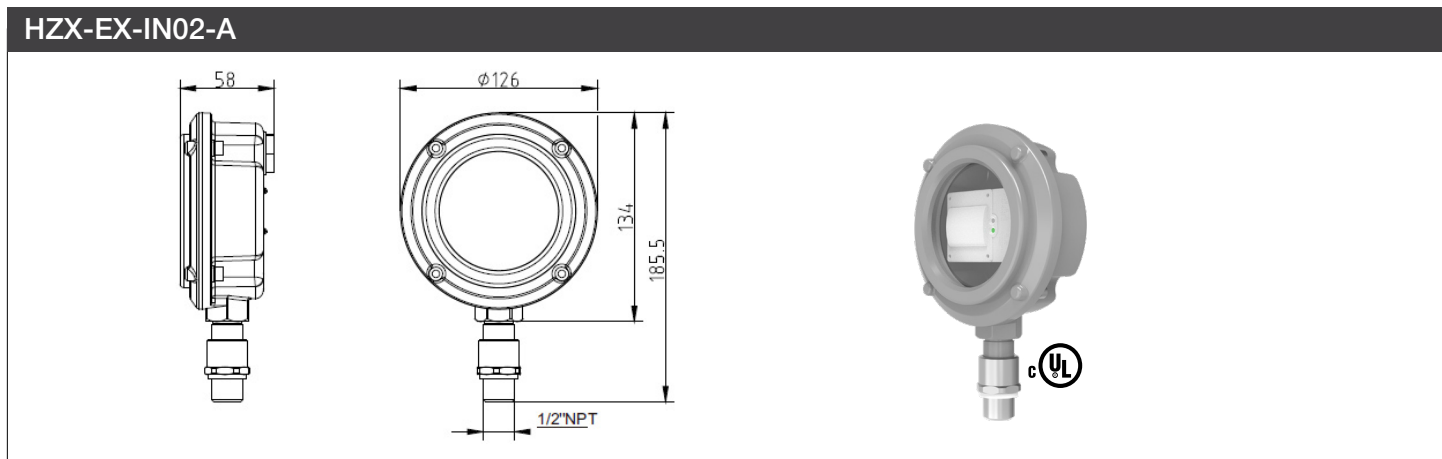
Lumen Specification Table

MODEL	WATTS (W)	BEAM ANGLE	VOLT (V)	CURRENT (A)	CCT	LUMEN OUTPUT	EFFICACY	CRI	LIFE (L70)	POWER FACTOR	THD (%)
HZX-EX-Q1	20	120°	120-347V	0.22	4000K	2,332	143 lm/W	>70	100,000	>0.95	≤20
	40	40°		0.33	5000K	5,923	148 lm/W				
	60	120°		0.66	5000K	8,587	142 lm/W				
	80	120°		0.89	5000K	12,963	160 lm/W				
HZX-EX-Q2	100	120°	1.11	5000K	14,128	141 lm/W					
	150	120°	1.67	5000K	21,494	143 lm/W					
	200	120°	2.22	5000K	27,797	139 lm/W					

Diffusers (Optional)



## Sensor Dimensions (unit: mm)



Model NO.	HZX-EX-IN02-A-A	A: Cover A made of aluminum alloy	
Input	DC Input Voltage	N/A	
	Rated Voltage	AC120-277V, 50/60Hz	
	No-load Power	N/A	
	Stand-by Power	≤ 1W	
	Surge Test	L - N: 1kV	
Output	Working Mode	ON/OFF, 1-10V dimming	
	Type of Load	Resistive or capacitive	
	Load Capacity	120V/4.5A; 277V/2A	
	Max.Power	550W	
	Max. Surge Capacity	30A (50% Ipeak, Twidth =500uS, @230Vac full load, cold start); 60A (50% Ipeak, Twidth =200uS, @200Vac, full load, cold start)	
Dim Interface	1-10V Dimming	20mA Max., Passive 1-10V ports	
	High Low Voltage Control	N/A	
	PWM Control	N/A	
Sensor Parameters	Operating Frequency	5.8 GHz ±75 MHz, ISM band	
	Transmitting Power	0.5mW Max.	
	Hold Time	5s/30s/1min/3min/20min/30min 5s/30s/1min/3min/5min/10min/20min/30min (set by remote control)	
	Stand-by Period	0s/5s/5min/10min/30min/1h+∞ 0s/10s/1min/3min/5min/10min/30min/+∞ (set by remote control)	
	Detection Area	10 %/75%/50%/10% 10 %/75%/50%/25% (set by remote control)	
	Daylight Sensor	5Lux/15Lux/30Lux/50Lux/100Lux/150Lux/Disable (ambient light diffuse state) 5lux/15lux/30lux/50lux/10 lux/150lux/Disable (set by remote control)	
	Detecting Radius	2-3m @mounting height of 10m	
	Mounting Height	2-3m @mounting height of 10m	
	Detection Angle	150°	
	Operating Environment	Operating Temperature	-25°C to +60°C
		Storage	-40°C to +80°C/Humidity: 10%-95% (non-condensing)
Others	Input/Output Terminal	Press-type terminal block; Wire diameter: 0.75-1.5mm <sup>2</sup>	
	Material	Housing: Aluminum	
	High Low Voltage Control	N/A	
	IP Rating	IP66	
	Protection Class	Class I, Division 2, Groups A, B, C, D	
	Lifetime	50,000 hours	

### NOTE:

1. "N/A" means not available.

2. The detection area is related to the speed and volume of the moving object. This data was obtained from testing personnel with a height of 165cm and a movement speed of 0.5m/s.

3. Default Settings: Detection Area 100%, hold time 5s, stand-by 0s, standby dim level 10%, Day light sensor disabled and On mode