

EXPLOSIONPROOF RIGMASTER™ LED SERIES LUMINAIRES

STANDARD OR WITH EMERGENCY BATTERY BACKUP — HAZARDOUS LOCATIONS

FEATURES

- Low profile luminaire, perfect for low clearance, obstructed areas or compact spaces
- Available in two sizes and output options, delivering up to 7600 lumens
- Adjustable yoke brackets with fixture position locking mechanism and various bolt patterns that accommodate most bolt patterns for Crouse-Hinds™ ±, Dialight™ ❖ and other manufacturers
- Select a clear or frosted glass lens for the optimal level of work plane brightness and visual comfort. These lenses are field interchangeable for convenience and flexibility
- 4 casted points standard for secondary safety retention
- 90 or 180 minutes of emergency battery backup optional
- Loop in/out wiring capability for interconnecting fixtures
- Precision threaded wire cover provides hassle free access to wiring department for easy installation and maintenance
- 2000 PSI high pressure hose rated

WARRANTY ❖

- 10 year standard warranty

TYPICAL APPLICATIONS

- Drilling rigs
- Offshore rigs
- Oil refineries
- Petrochemical facilities
- Foundries
- Waste and sewer treatment
- Mining and underground tunnels
- Power generation
- Hydrogen and Biofuels plants
- LNG (Liquid Natural Gas) plants
- Select paint booth areas

LUMINAIRE MATERIALS

- Housing: copperfree (4/10 of 1% max.) aluminum
- Lens: thermal shock- and impact-resistant glass lens
- Gasket: silicone rubber
- Bolts: highly corrosion resistant 316 stainless steel
- Close up plugs: (1) aluminum provided
- Mounting brackets: zinc plated steel

ACCESSORIES (PURCHASE SEPARATELY)

- Safety Cable: LEDSC

NEC/CEC LISTINGS ①

- NEC: Class I, Division 1, Groups C and D | Class II, Division 1, Groups E, F, G | Class III
- CEC: Class I Zone 1, Group IIB
- Type 3R, 4, 4X
- IP66
- 4G Vibration Standard; 3G Vibration Emergency
- Simultaneous Exposure
- Suitable for Use in Wet Locations
- Marine Outside Type (Salt Water)

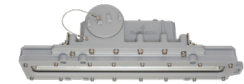
NOTABLE LISTINGS ①

- ABS Certified
- DLC listed
- Chile Zoning Compliant

RELATED PRODUCTS

- Rigmaster LED Series Luminaires
- Industrial Rigmaster LED Series Luminaires

① Refer to catalog pages for detailed certification information
 ± Crouse-Hinds is a registered trademark of Cooper industries, inc., a wholly owned subsidiary of the Eaton Corporation plc
 ❖ Dialight is a registered trademark of Dialight
 ❖ For warranty details go to www.appleton.emerson.com



ERM*2 + Clear Lens (No Mount)



ERM*4 + Clear Lens + Large Swivel Bracket Mount

PRODUCT SPECIFICATIONS

Series * Lumen Output	ERM*2	ERM*4
Nominal Wattage (W, @120 V)	33	55
Equivalencies (W, T8)	2 x 32W	3 x 32W
Nominal Lumens Standard Model ①	4310	7530
Nominal Lumens Emergency Model ①	1350 (90 min) 800 (180 min)	
Efficacy (up to, lm/W)	132	137
Color Temperature (CCT) (K)	5000/4000/3000/2200K/Green	
Color Rendering index (CRI)	≥ 80 CRI	
Voltage	100-277 Vac, 50/60 Hz 347-480 Vac, 50/60 Hz	
Surge Protection	6 kV, 3 kA	
L70 Lifetime (hrs, reported)	Reported: >102000 hours @ 25 °C Calculated: >150000 hours @ 25 °C	
Ambient Temperature ②	Standard: -40 °C to +65 °C (-40 °F to +149 °F) Emergency: -20 °C to +55 °C (-4 °F to +131 °F)	
Temperature Code ②	T5 - T6	
Fixture Weight Standard Model - kg (lbs)	8.9 (19.6)	13.4 (29.5)
Fixture Weight Emergency Model - kg (lbs)	12.8 (28.2)	18.4 (40.6)
Replaceable Parts	Driver, Battery Management Module, Battery Pack	

① Nominal lumens based 5000K CCT with clear glass lens. Refer to catalog pages for detailed performance.

② Refer to catalog pages for detailed temperature tables/operating temperature based on lumen output/certification.

APPLETON™

For product information:
www.masteringled.com
 1.800.621.1506


EMERSON™

EXPLOSIONPROOF RIGMASTER™ LED SERIES LUMINAIRES

STANDARD OR WITH EMERGENCY BATTERY BACKUP — HAZARDOUS LOCATIONS

Project Information	
Part Number: _____	Date: _____
Project: _____	
Fixture Type: _____	

Specifications

CATALOG NUMBERING GUIDE

Series Prefix	Mounting	Lumen (nominal)	Hub Size	Color Temperature	Lens Material	Light Distribution Pattern	Voltage	Emergency	Color	Wiring Method	Option
ERM						L			G		

SERIES PREFIX:	
ERM	Explosionproof Rigmaster LED
MOUNTING: ③	
B	Large Swivel Bracket
L	Low Profile Bracket
N	If None (Use if Ordering Appleton Bracket Separately)
LUMEN (NOMINAL): ②	
2	4,300 Lumens (2')
4	7,600 Lumens (4')

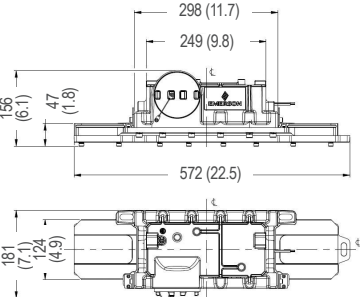
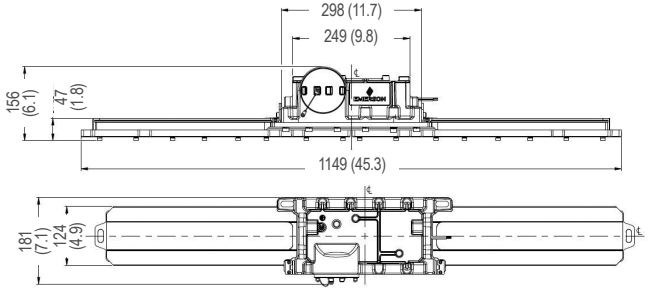
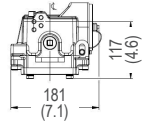
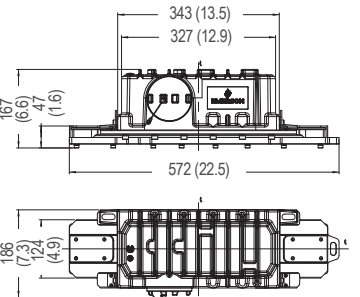
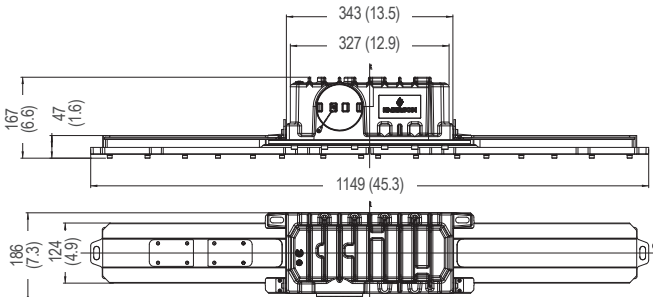
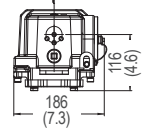
HUB SIZE:	
1	(4) 1/2" NPT
2	(4) 3/4" NPT
COLOR TEMPERATURE (CCT):	
C	Cool, 5000K
N	Neutral, 4000K
W	Warm, 3000K
H	2200K
V	Green
LENS MATERIAL:	
C	Clear Glass
F	Frosted Glass ①

LIGHT DISTRIBUTION PATTERN:	
L	Linear Pattern
VOLTAGE:	
BU	100-277 Vac, 50/60 Hz ④
BH	347-480 Vac, 50/60 Hz
EMERGENCY: ⑤	
N	If None (Standard)
H	90 Minutes
E	180 Minutes

COLOR:	
G	Appleton Gray (Standard)
WIRING METHOD:	
W	Wire Nuts (Standard)
T	Fixed Terminal Block ①
OPTION: ③	
Blank	If None
1	(1) Safety Cable
2	(2) Safety Cables

- ① Applicable to standard (non emergency) fixtures only.
- ② Refer to catalog pages for detailed lumen output information, see Lumen Output (Efficacy) Table.
- ③ Brackets and safety cables can be ordered separately or included with fixture. Refer to catalog pages for more information.
- ④ Emergency battery back up version is only available with BU voltage configuration for 120-277 Vac operation.
- ⑤ Marine Outside Type (Salt Water) is applicable to standard (non emergency) fixtures only.

DIMENSIONAL DRAWINGS ① | MILLIMETERS (INCHES)

ERM*2	ERM*4	ERM*2 and ERM*4
<p>Standard Model</p> 	<p>Standard Model</p> 	<p>End View</p> 
<p>With Emergency Battery Backup</p> 	<p>With Emergency Battery Backup</p> 	<p>End View</p> 

① Models shown with no mounting bracket. Refer to catalog pages or the Product Drawing configurator page for additional dimensional information; available on www.masteringled.com.