

# HAZ-X A

HAZARDOUS LOCATION LED FLOOD LIGHT

Type: \_\_\_\_\_

Project: \_\_\_\_\_

**Delivered Lumens:**

2,800 - 58,000 lm

**Wattage:**

A2: 20W-70W  
 A: 20W-150W  
 A3: 60W-240W  
 A4: 60W-400W

**Efficacy:**

Up to 150 lm/W

**Colour Temperatures:**

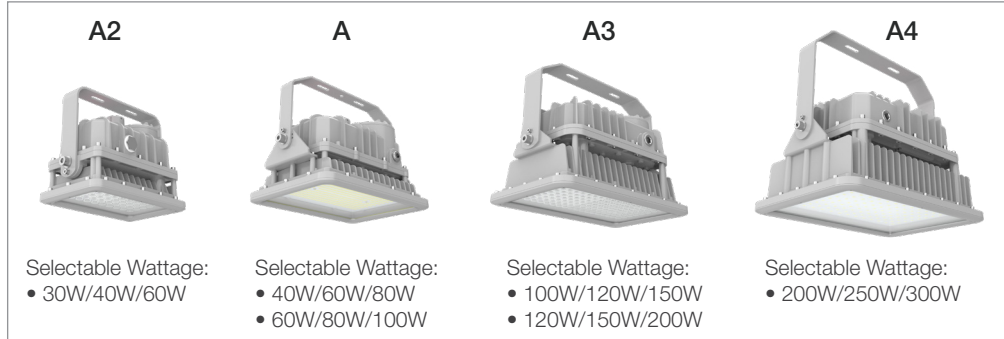
2000K - 7500K  
 Selectable:  
 4000K/5000K/6500K

**Projected Lumen**

**Maintenance:**

L<sub>70</sub>@ >100,000 hrs.

The **HAZ-X A** series LED luminaire is the ideal choice for marine and hazardous applications. They can be used in locations where moisture, dirt, dust, corrosion and vibration may be present, or areas where wind, water, snow or high ambient temperatures can be expected.



Selectable Wattage:  
 • 30W/40W/60W

Selectable Wattage:  
 • 40W/60W/80W  
 • 60W/80W/100W

Selectable Wattage:  
 • 100W/120W/150W  
 • 120W/150W/200W

Selectable Wattage:  
 • 200W/250W/300W

UL844 Hazardous Locations  
 Class I Division 2, Group A, B, C, D  
 Class I, Zone 2, Group IIC

CSA C22.2 No.137.0  
 CSA C22.2 No.250.0  
 CSA C22.2 No.250.13

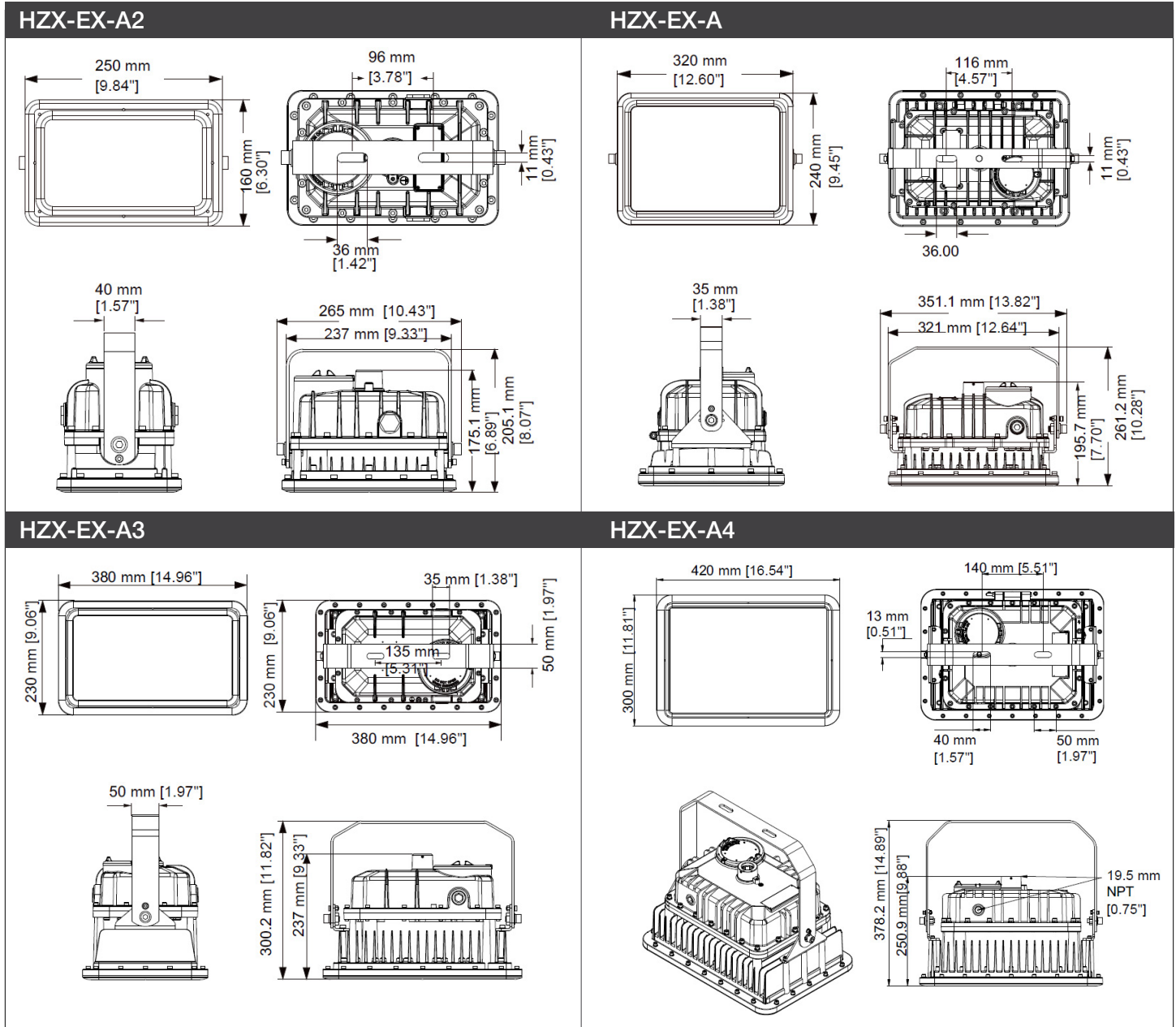
Configurations (Example: HZX-EX-A-20W-D-50-D120-CFP-B-2-M-E)

1. SERIES	2. FIXTURE TYPE	3. OUTPUT	4. DIMMING	5. COLOUR TEMP.	6. DISTRIBUTION	7. LENS
HZX-EX	A2	20W/25W/30W/35W/ 40W/50W/60W/70W	D (Dimmable)	20 (2000K) 30 (3000K) 40 (4000K) 50 (5000K) 57 (5700K) 60 (6000K) 65 (6500K) 75 (7500K)	1D30 (30 degrees) 1D40 (40 degrees) 1D60 (60 degrees) 1D90 (90 degrees) 2D120 (120 degrees)	CFP (Clear Flat PC) [BLANK] (Clear Flat Glass) FFG (Frosted Flat Glass) FFP (Frosted Flat PC)
	A	20W/40W/60W/80W/ 100W/120W/150W				
	A3	60W/80W/100W/120W/ 150W/180W/200W/240W				
	A4	150W/180W/200W/250W/ 300W/350W/400W				

8. DIFFUSER COVER TYPES	9. LED TYPE	10. INPUT VOLTAGE	11. DUAL POWER & CCT SELECTABLE	12. EMERGENCY BACKUP
[BLANK] (Normal cover) B (Step cover)	1 (5050 LED) 2 (2835 Single CCT LED Board) 3[BLANK] (2835 Selectable LED Board)	[BLANK] (120-277V) M (120-347V) H (277-480V)	[BLANK](Not Selectable) 4,5T (Power and Colour Selectable)	[BLANK] (No Backup) 6E (With Emergency Backup)

**NOTE**<sup>1</sup>: Only available with 5050 LED; **NOTE**<sup>2</sup>: Only available with 2835 LED; **NOTE**<sup>3</sup>: Must be selected with Dual Power and CCT selectable; **NOTE**<sup>4</sup>: Must specify Power Selectable Options: A: 40W/60W/80W or 60W/80W/100W; A2: 30W/40W/60W; A3:100W/120W/150W or 120W/150W/200W; A4: 200W/250W/300W; **NOTE**<sup>5</sup>: Standard selectable CCT: 4000K/5000K/6500K; **NOTE**<sup>6</sup>: Wattage Compatibility - A: 20W, 40W, 60W, 80W, 100W or A3: 60W, 80W, 100W or A4: 150W, 180W, 200W, 250W; **NOTE**<sup>7</sup>: Not compatible with 120-347V Input.

Dimensions (unit: mm [in.])



Accessories

ORDER CODE	DESCRIPTION	ORDER CODE	DESCRIPTION
50002002	HAZ-X EX-HOOK	50002006	HAZ-X STANCHION POLE MOUNT 90°
50002003	HAZ-X JUNCTION BOX	50002007	HAZ-X STANCHION POLE MOUNT 25°
50002004	HAZ-X PENDANT MOUNT	50002008	HAZ-X 25° WALL MOUNT WITH JUNCTION BOX
50002005	HAZ-X 90° WALL MOUNT	50002009	HAZ-X 90° WALL MOUNT WITH JUNCTION BOX

**APPLICATIONS**

- Oil and gas industry
- Metal treatment industry
- Chemical processing facility
- Power Plants
- Ocean, marine location
- Heavy industrials storage facility
- Wastewater Treatment Plants
- Food and Alcohol Industry

**MOUNTING:**

Standard mounting is with U-bracket (yoke) used for ceiling or wall mounting. Available with other mounting accessories:

- Hook Mounting (includes: hook & pendant chain)
- Ex-Slip Filter Mount Kit
- Vertical Pole Mount: Junction Box & Pole
- Pole Mount: Junction Box, Bended Pole & Pendant chain
- Stanchion Mounting: Wall, Pole 25° or 90°
- Wall Mounting with Junction Box: 25° or 90°

**ELECTRICAL:**

- Available in 2000K, 3000K, 4000K, 5000K, 5700K, 6000K, 6500K or 7000K colour temperature
- >70 CRI
- Electrical ratings: 120-277V, 277-480V, 120-347V (A2 model excludes 60W and A4 with 300W/400W only) 50/60Hz
- 0-10V dimming standard
- Power factor of >0.95
- Power Selectable
  - HZX-EX-A2: 30W/40W/60W
  - HZX-EX-A: 40W/60W/80W or 60W/80W/100W
  - HZX-EX-A3: 100W/120W/150W or 120W/150W/200W
  - HZX-EX-A4: 200W/250W/300W
- Colour Selectable: 4000K/5000K/6500K
- Optional Emergency backup
- Cable Entry: 3/4" NPT

**OPERATING TEMPERATURE:**

- A2: -40°C to +65°C; T4/T4A/T5/T6
- A: -40°C to +65°C; T4A/T5/T6
- A3: -40°C to +60°C; T4/T4A/T5/T6
- A4 -40°C to +60°C; T4/T4A/T5/T6

**HOUSING:**

Rugged and resilient housing made of a die-cast aluminium material with stainless steel hardware.

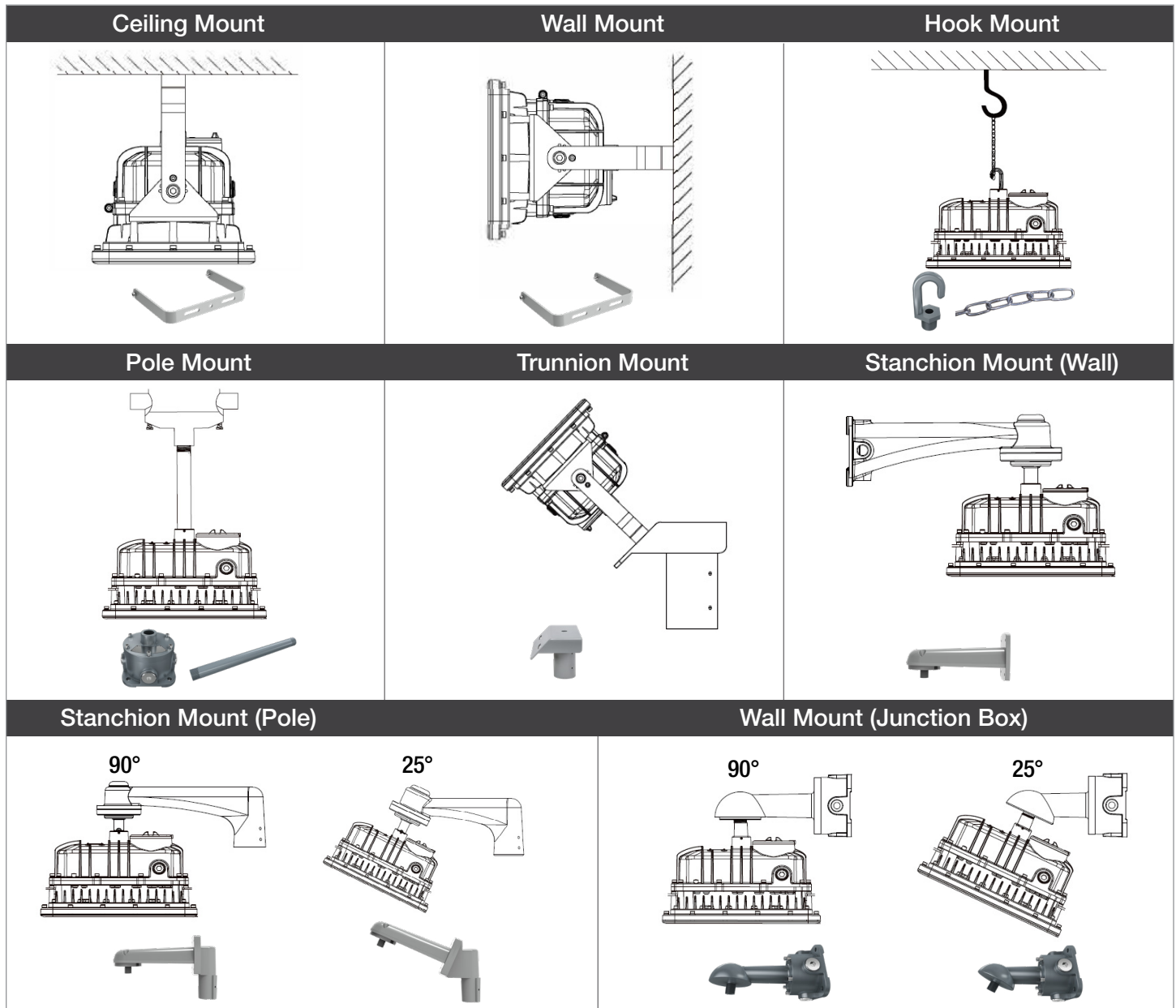
**LENS:**

Comes standard with clear flat glass and additional options lens include clear or frosted; flat polycarbonate lens or flat glass.

**WARRANTY:**

5-Year Standard Warranty

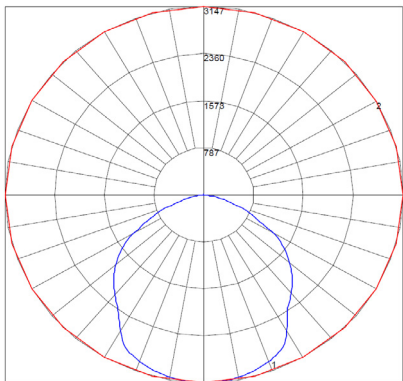
Mounting Methods



HAZ-X A

**HZX-EX-A2-60W-5000K-D120**

Luminous Intensity Distribution

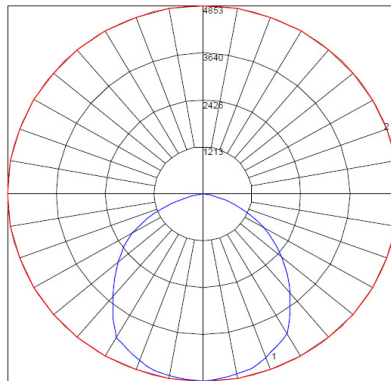


Zonal Lumen Summary

ZONE	LUMENS	% LUMINAIRE
0-20	1782	14
0-30	3812	30
0-40	6268	49
0-60	10797	85
0-80	12709	100
0-90	12739	100
10-90	12281	96
20-40	4486	35
20-50	6938	55
40-70	5911	45
60-80	1912	15
70-80	530	4
80-90	30	0
90-110	0	0
90-120	0	0
90-130	0	0
90-150	0	0
90-180	0	0
110-180	0	0
0-180	12739	100

**HZX-EX-A-100W-5000K-D120**

Luminous Intensity Distribution



Zonal Lumen Summary

ZONE	LUMENS	% LUMINAIRE
0-20	1159	15
0-30	2472	32
0-40	3963	51
0-60	6734	86
0-80	7822	100
0-90	7842	100
10-90	7544	96
20-40	2805	36
20-50	4289	55
40-70	3584	46
60-80	1087	14
70-80	274	4
80-90	21	0
90-110	1	0
90-120	2	0
90-130	3	0
90-150	6	0
90-180	9	0
110-180	7	0
0-180	7851	100

Lumen Specification Table

MODEL	WATTS (W)	BEAM ANGLE	VOLT (V)	CURRENT (A)	CCT	LUMEN OUTPUT	EFFICACY	CRI	LIFE (L70)	POWER FACTOR	THD (%)
HZX-EX-A2	20	120°	120-347V	0.17	4000K	2,583 lm	129 lm/W	>70	100,000	>0.95	≤20
	40			0.34	5000K	5,582 lm	140 lm/W				
	60			0.27	5000K	7,851 lm	131 lm/W				
HZX-EX-A	80			0.35	5000K	10,960 lm	137 lm/W				
	100			0.45	5000K	12,739 lm	127 lm/W				
HZX-EX-A3	150			0.68	5000K	18,875 lm	126 lm/W				
	200			0.9	5000K	24,638 lm	126 lm/W				
HZX-EX-A4	250			1.06	5000K	33,420 lm	140 lm/W				
	300			1.36	5000K	44,985 lm	150 lm/W				
	400			1.82	5000K	57,521 lm	144 lm/W				